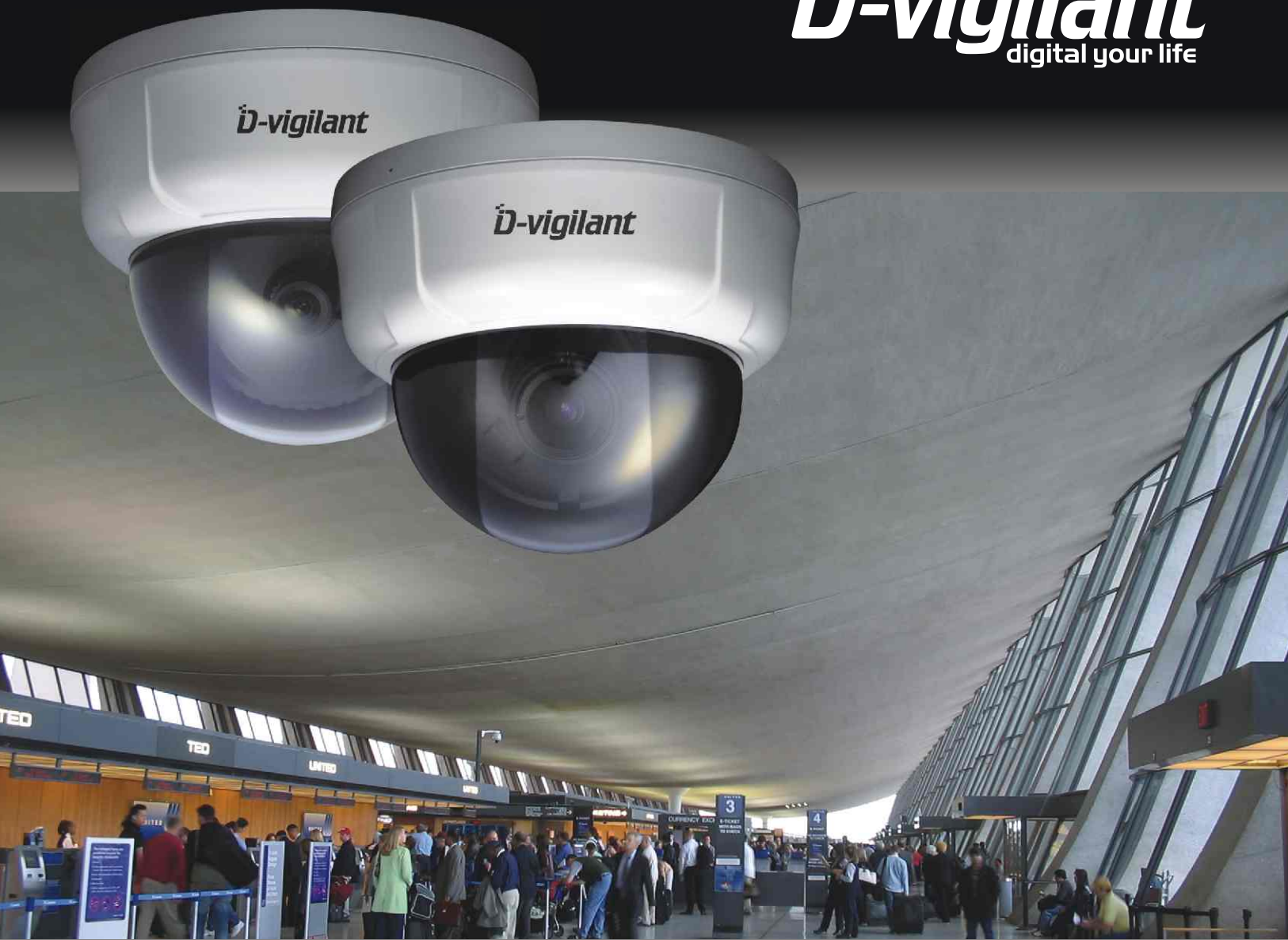


**D-vigilant**  
digital your life

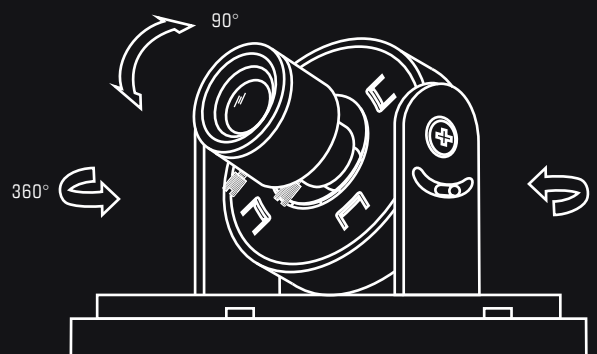


# VII, V30

## 420TVL ~ 700TVL VII & V30 SERIES DOME CAMERA

SONY 1/3" Super HAD CCD II™  
SONY 1/3" Ex-View Super HAD CCD II™  
420TVL ~ 700TVL Resolution  
3.6 mm Fixed Lens (V11)  
4~9mm Vari-Focal Lens[2.9~12mm Lens Optional](V30)  
0.0 1Lux@F1.2  
OSD Setup  
WDR, SMART IR, DNR...

[www.dvigilant.com](http://www.dvigilant.com)



3-Axis Inner Mount

# 420TVL ~ 700TVL VII & V30 SERIES DOME CAMERA

## ■ HIGH RESOLUTION (600 & 700 TVL)



CONVENTIONAL CAMERA



HIGH RES. CAMERA

## ■ DNR (Dynamic Noise Rejection)



DNR OFF



DNR ON

## ■ SMART IR



SMART IR OFF



SMART IR ON

## ■ WDR (Wide Dynamic Range)



WDR OFF



WDR ON

## ■ BLC (Back Light Compensation)



BLC OFF



BLC ON

## ■ AGC (Auto Gain Control)



AGC OFF (Day time low light)



AGC ON (Day time low light)

## ■ TECHNICAL SPECIFICATIONS

Model	V11-SSSN V11-SSSP V11-HSSN V11-HSSP	V30-SSSN V30-SSSP V30-HSSN V30-HSSP	V11-HNBN V11-HNBP V11-UNBN V11-UNBP	V30-HNBN V30-HNBP V30-UNBN V30-UNBP	V11-VEEN V11-VEEP	V30-VEEN V30-VEEP
<b>System</b>	N = NTSC, P = PAL					
<b>Image Sensor</b>	SONY 1/3" Super HAD CCD II				SONY 1/3" Ex-View Super HAD CCD II	
<b>Lens Type</b>	V11 = 3.6 mm fixed Lens, V30 = 4-9mm Vari-Focal Lens (2.9-12mm Lens Optional)					
<b>Scanning System</b>	2:1 Interlace					
<b>Scanning Frequency (H)</b>	15734 Hz (NTSC), 15625 Hz (PAL)					
<b>Scanning Frequency (V)</b>	59.94 Hz (NTSC), 50.00 Hz (PAL)					
<b>Sync. System</b>	Internal					
<b>Signal System</b>	525 Lines (NTSC), 625 Lines (PAL)					
<b>Total Pixels</b>	270K (NTSC), 320K (PAL) = 420TVL 410K (NTSC), 440K (PAL) = 480TVL / 600TVL			480K (NTSC), 570K (PAL) = 700TVL		
<b>S/N Ratio</b>	More Than 48 dB (AGC OFF)			More Than 52 dB (AGC OFF)		
<b>Gamma</b>	— 0.45 Default, Selectable with OSD					
<b>Resolution</b>	V11-S / V30-S = 420TVL, V11-H / V30-H = 480TVL, V11-U / V30-U = 600TVL, V11-V / V11-V = 700TVL					
<b>Video Output Level</b>	1.0 Vp-p (75 Ohms, Composite)					
<b>Focus Mode</b>	Manual					
<b>Min. Illumination</b>	0.01Lux@F1.2					
<b>White Balance</b>	AUTO			ATW1 / ATW2 / MANUAL / AWC-SET Adjustable with OSD		
<b>AGC</b>	AUTO			AGC Level Adjustable with OSD		
<b>BLC</b>	AUTO			64 Windows Adjustable with OSD		
<b>Exposure (AE/ME)</b>	—			AUTO/MANUAL Adjustable with OSD (1/50 (1/60) to 1/120,000)		
<b>Day/Night Switching Delay</b>	—			1-63 Sec. Adjustable with OSD		
<b>Mirror</b>	—			On/Off Adjustable with OSD		
<b>Flicker Free Mode (Shutter Fixed)</b>	—			Shutter Fixed Mode to 1/120 (PAL) & 1/100 (NTSC) Adjustable with OSD		
<b>Pro. Functions Access</b>	—			Five-way Switch OSD Control		
<b>Motion Detection</b>	—			4 Areas Selectable and Remote Control		
<b>Privacy Mask Function</b>	—			ON/OFF (8 Programmable Areas)		
<b>Lens shade compensations</b>	—			ON/OFF Adjustable		
<b>D-WDR (WDR)</b>	—			Digital WDR ON / OFF		WDR ON / OFF
<b>Video D/P selection</b>	—			CRT LCD and USER selectable		
<b>Sharpness</b>	—			Sharpness Level Adjustable with OSD		
<b>Current Consumption</b>	90mA/12V DC					
<b>Power Supply</b>	DC 12V ± 1V					
<b>I/O Connector</b>	Video Output: Molded (Pig Tail) BNC Connector and 12V DC Input: DC Socket					
<b>Operating Temp</b>	-10 °C ~ +50 °C (14 °F ~ 122 °F)					
<b>Dimensions</b>	120.0 mm (Base Diameter) X 92.0 mm (H)					
<b>Weight</b>	Approx. 220g					

\* "Super HAD CCD II & Ex-View Super HAD CCD II" are trademark of Sony Corporation.

## ■ DIMENSIONS

