

OUTDOOR DUAL PASSIVE INFRARED DETECTOR

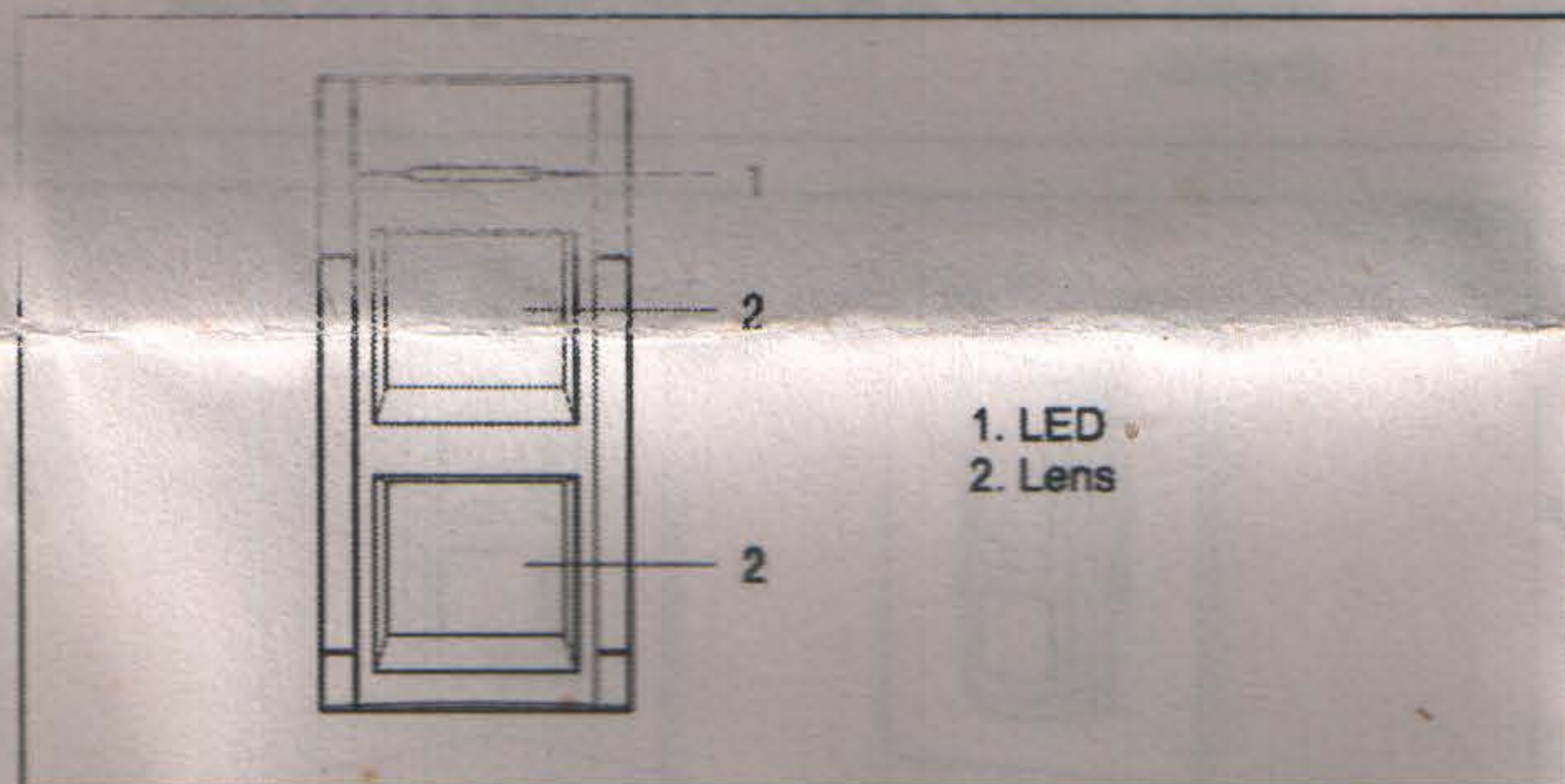
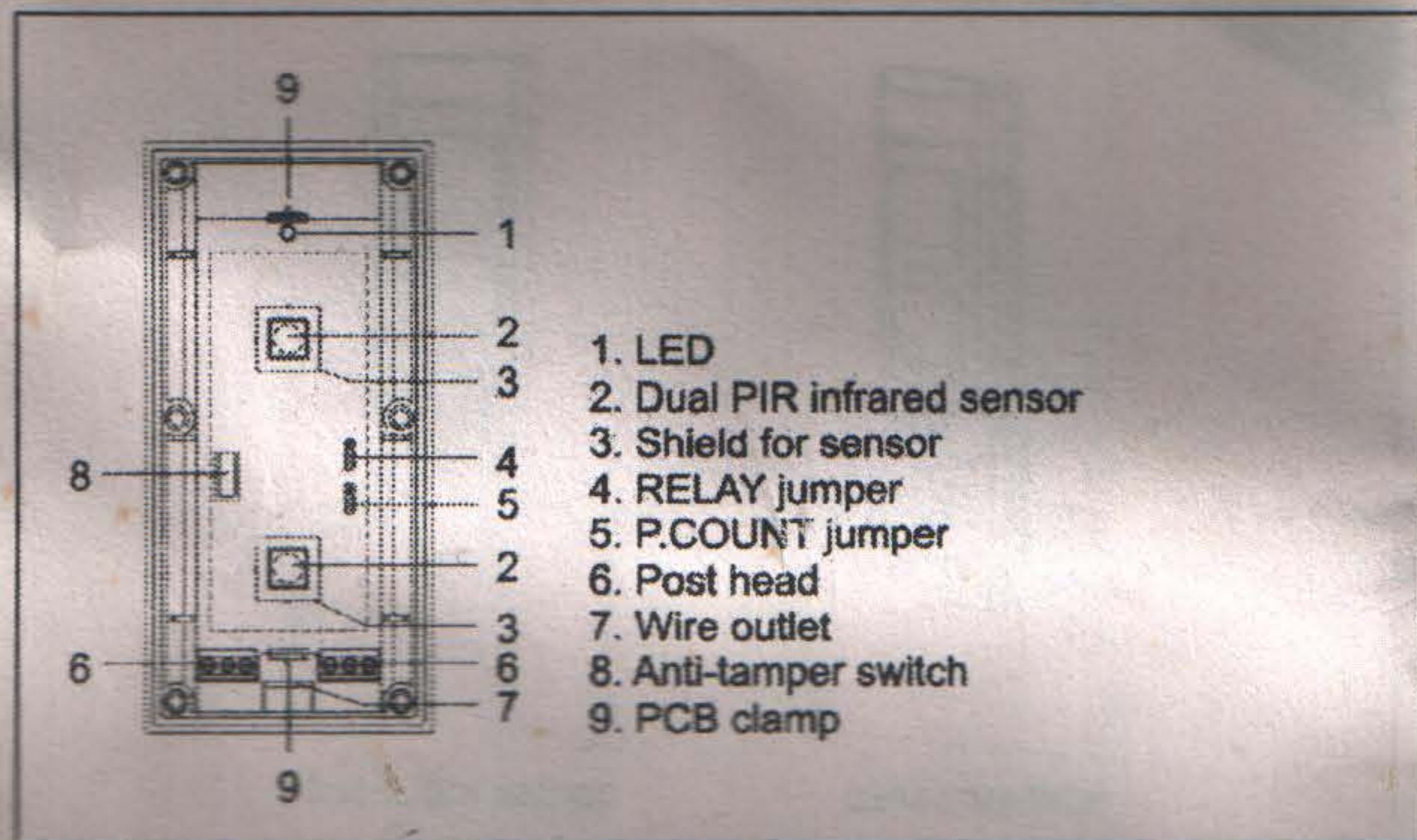
OSC 439



This product complies with standards of People's Republic of China:

Outdoor dual passive infrared detector works based on infrared spectrum of human body. The product uses special filter lens and adopts advanced signal analysis technology, and it is provided with waterproof to be suitable to use in outdoor. This product can be used in banks, housewares and houses etc.

GENERAL VIEW



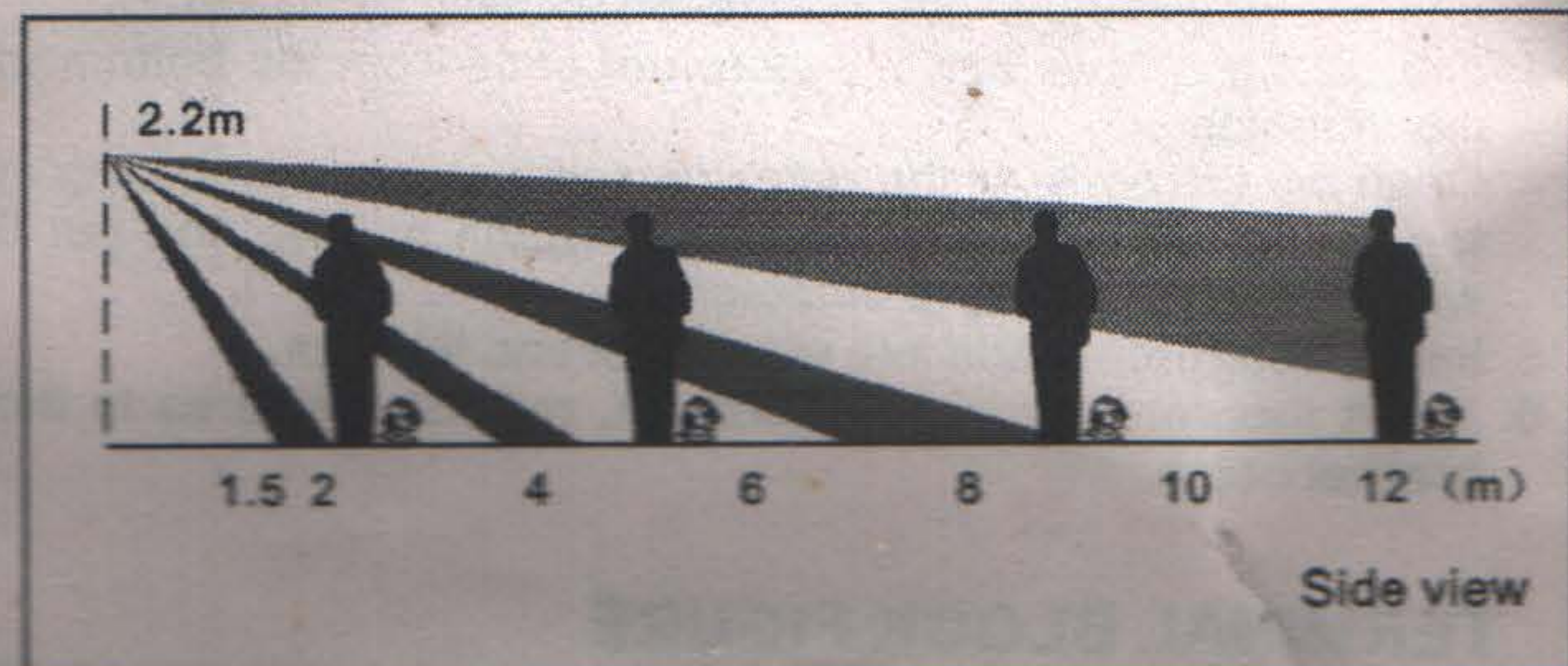
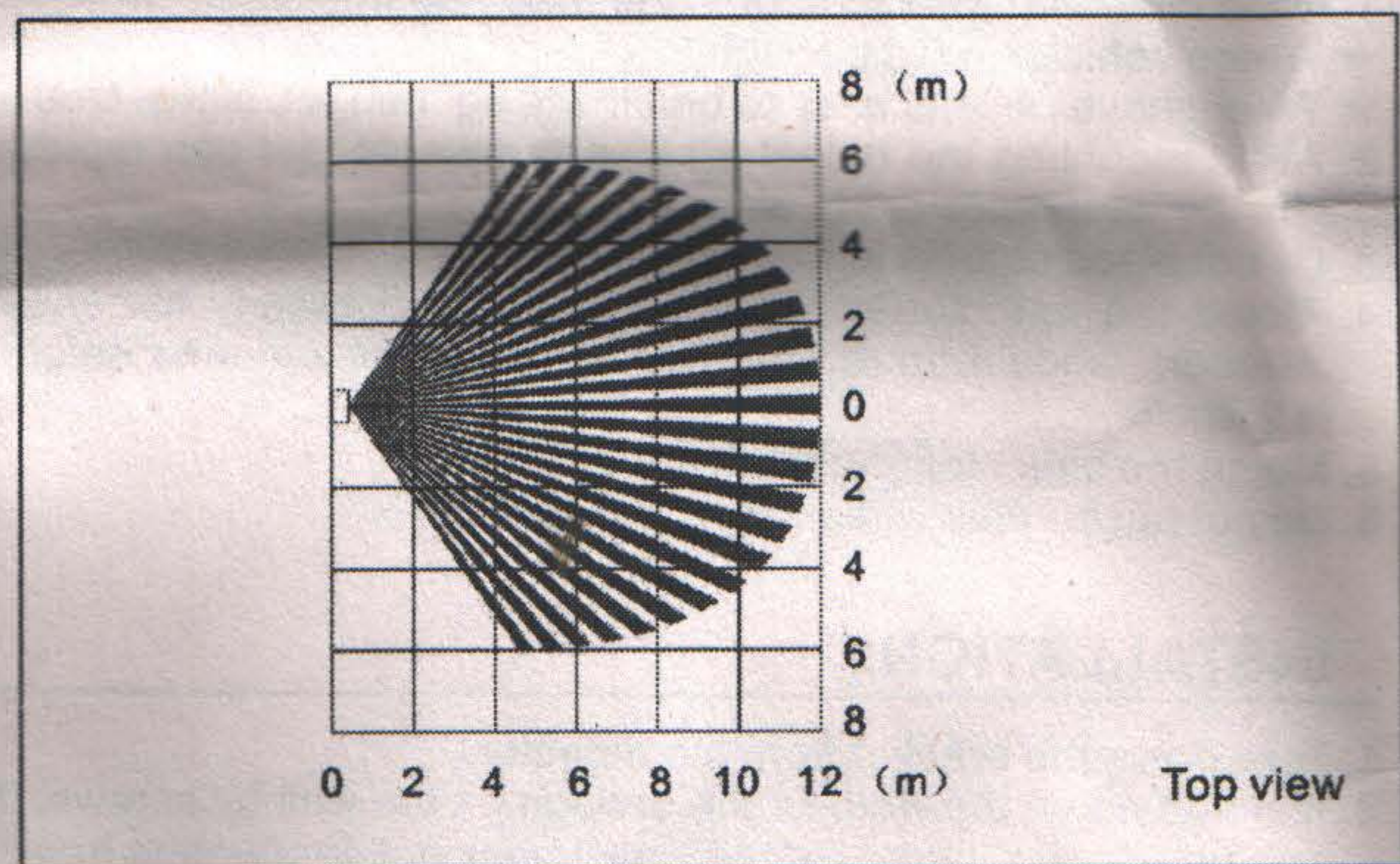
MAIN FEATURES

- Adopt microprocessor
- Special filter lens, white light immunity 10000 Lux
- Fully sealed bug immunity
- Waterproof function, being suitable for outdoor environment
- Wide-angle lens and curtain lens optional for different locale
- Collect signals by dual sensor to avoid false alarm
- LED ON/ OFF optional, pulse count optional
- Temperature auto-compensation to adapt environment change
- Alarm output N.C./N.O. optional to adapt different alarm system
- Pet (<20Kg) immunity

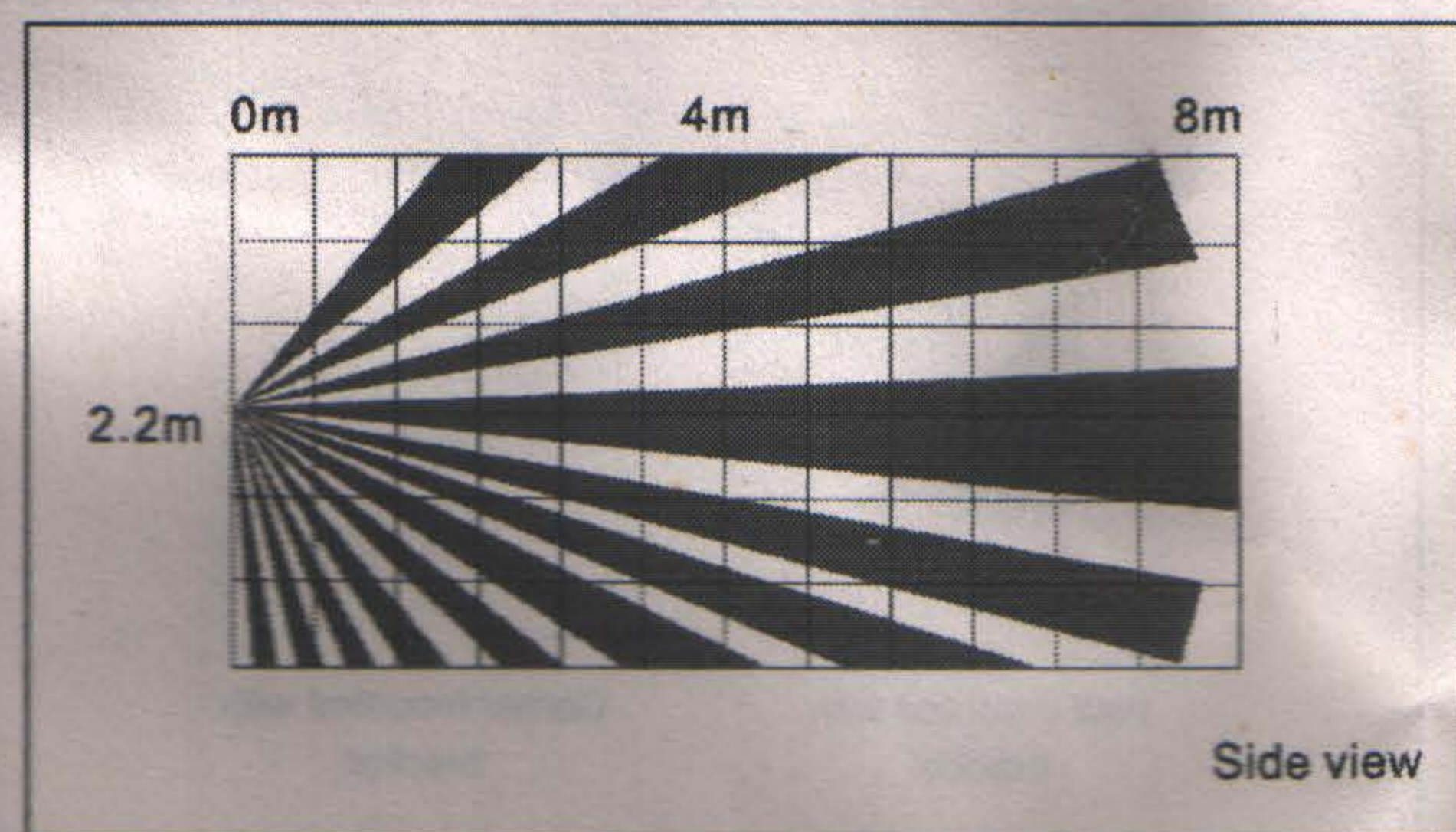
TECHNICAL PARAMETERS

Working voltage	9~16V DC
Working current	≤28mA(12V DC)
Detection distance	wide-angle lens 12m, curtain lens 8m
Detecting angle	wide-angle lens 110° , curtain lens 15°
Sensor type	dual element low-noise pyroelectric infrared sensor
Warm-up time	60 sec
Pulse count	wide-angle 1P and 2P optional, curtain 1P only.
Mounting	wall mounting
Mount height	optimal height 2.2m
Operating temperature	-10℃~50℃(14℉~122℉)
Relay output	N.C./N.O. optional, contact rating 28VDC, 80mA
Anti-tamper switch	N.C. without voltage output, contact rating 28VDC, 100mA
Size	150mm×73mm×48mm

WIDE-ANGLE DETECTING RANGE FIGURES



CURTAIN DETECTING RANGE FIGURES



USAGE

1. Connect 12VDC power supply, warm up with indicator flashing, indicator stops flashing after 60 sec and detector enters normal monitoring state.
2. Test by normal walk speed in detection range, indicator is on and detector shall alarm. After 5 sec, indicator is off and detector shall enter monitoring state again.
3. RELAY jumper is used to set alarm output state, user can select different output state according to various alarm system, select 1&2 for N.C.(Normal Closed) state and 2&3 for N.O.(Normal Open) state. N.C. state is set in factory setting.
4. P.COUNT jumper is used to select pulse count. Select 1&2 for first class pulse, which is suitable for general outdoor environment; select 2&3 for second class pulse, which is suitable for atrocious outdoor environment.
5. LED jumper is to control LED indicator, which will not influence normal output of detector. LED is on in factory setting.

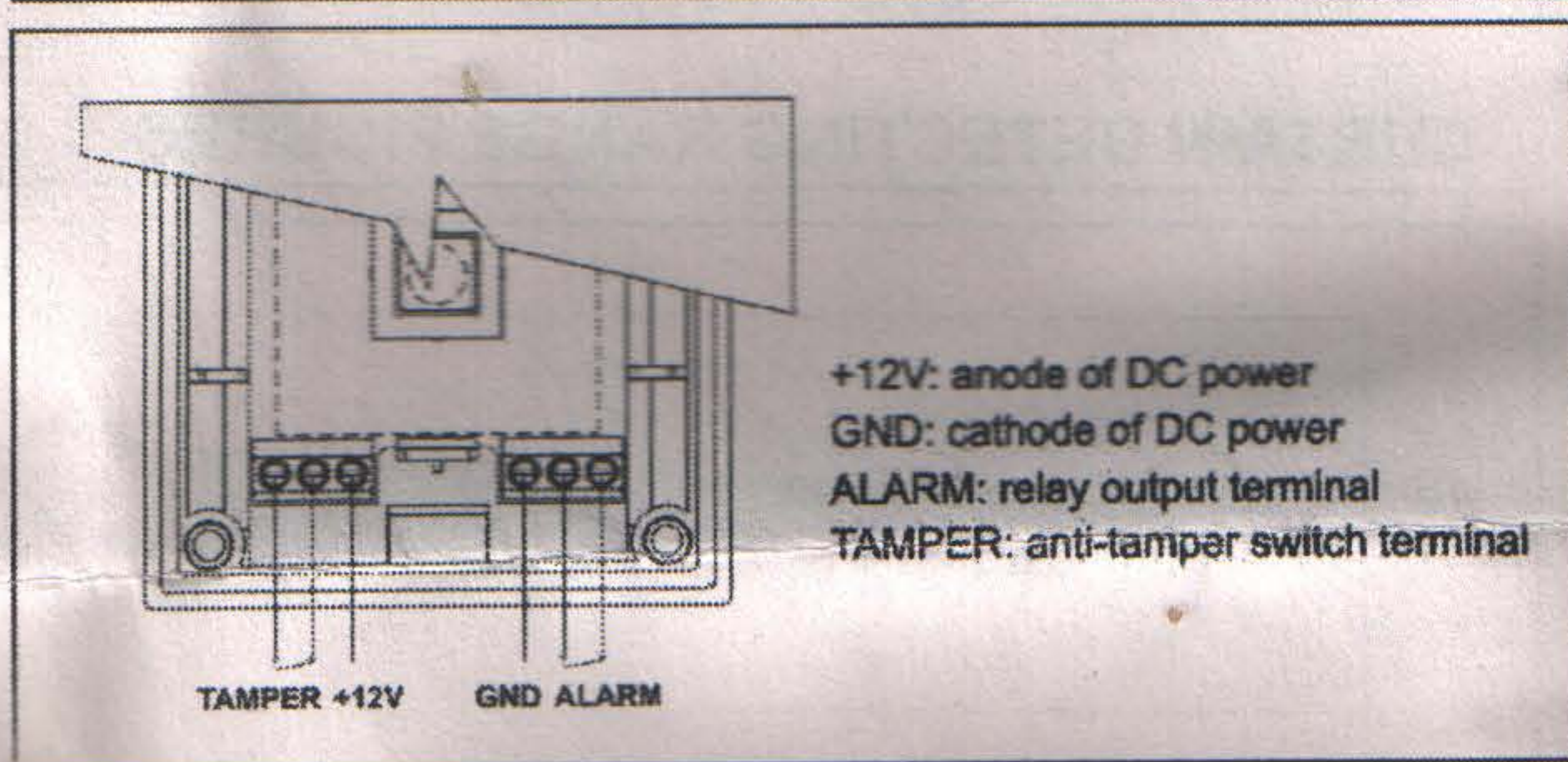
INSTALLATION LOCATION AND NOTICES

1. Avoid mounting the detector in the following positions:
 - ★ Where vehicles pass through.
 - ★ Where have objects easy to be blown, eg. hanged signs, tree.
2. Avoid mounting the detector close to objects that can rapidly change temperature, eg. air condition.
3. Do not place objects in front of the lens.
4. Mount the detector in a place which is most likely to sense intruders, should there be crossed. The recommended height is 2.2m.
5. Mount the indicator above the lens.
6. Do not put surplus wires in the detector.

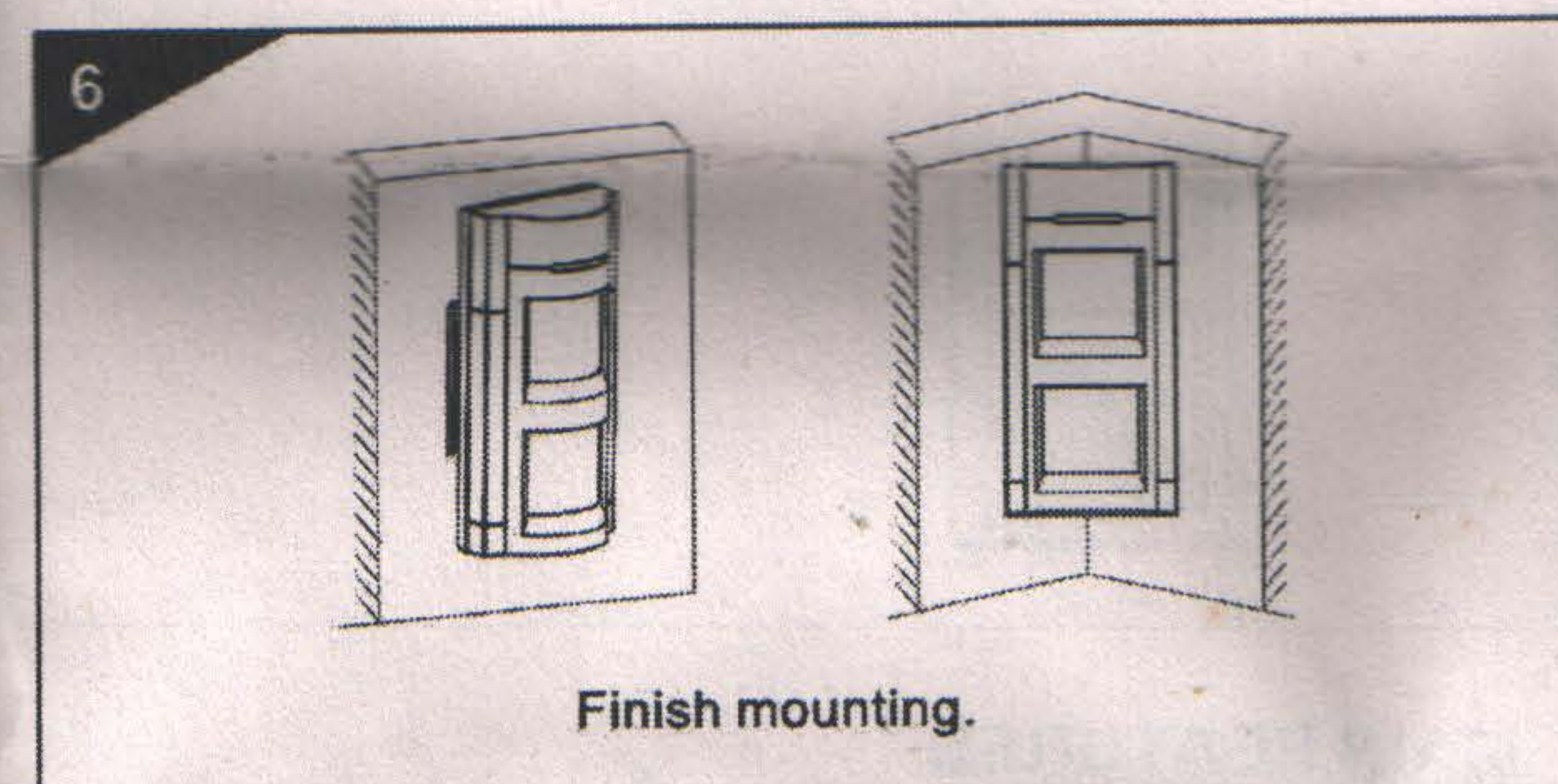
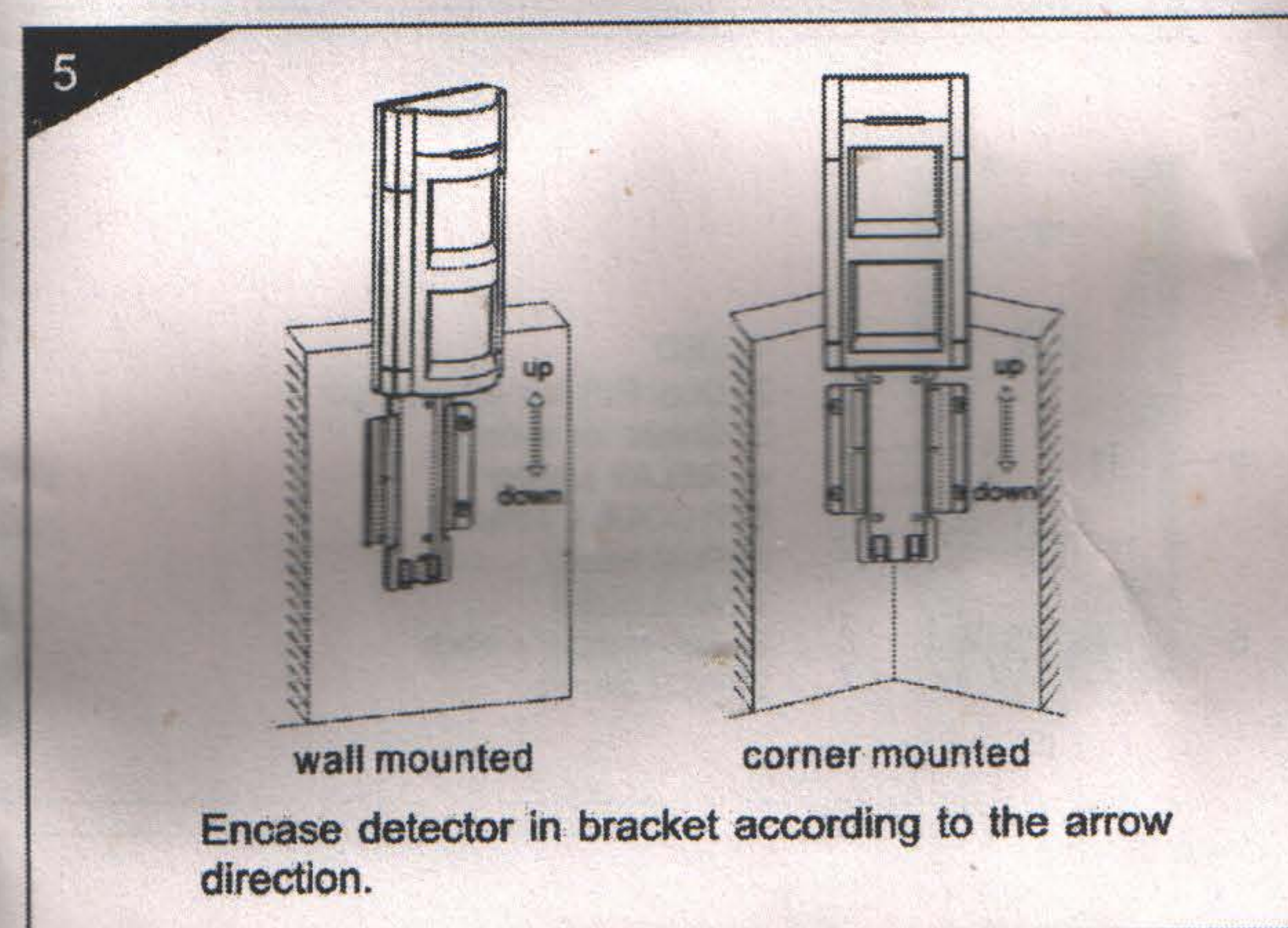
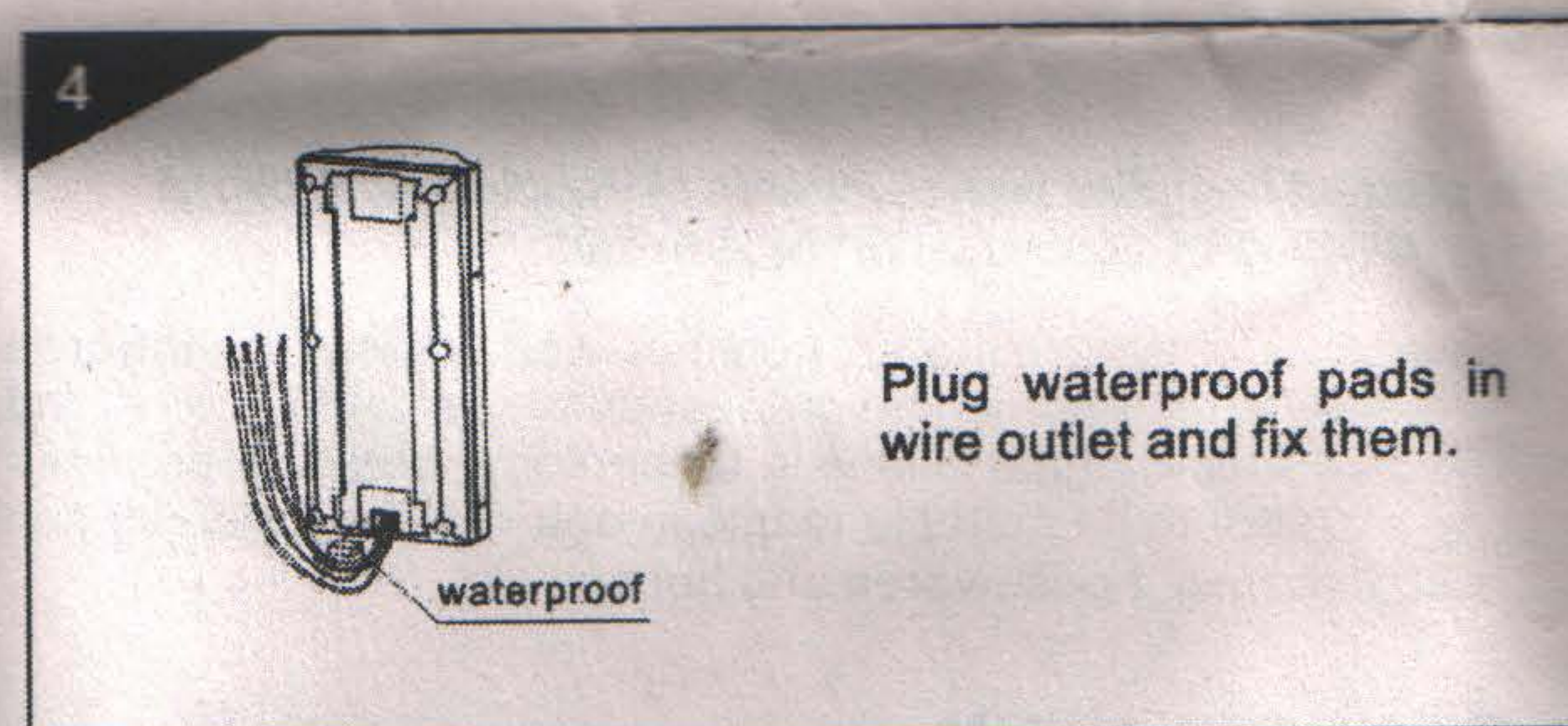
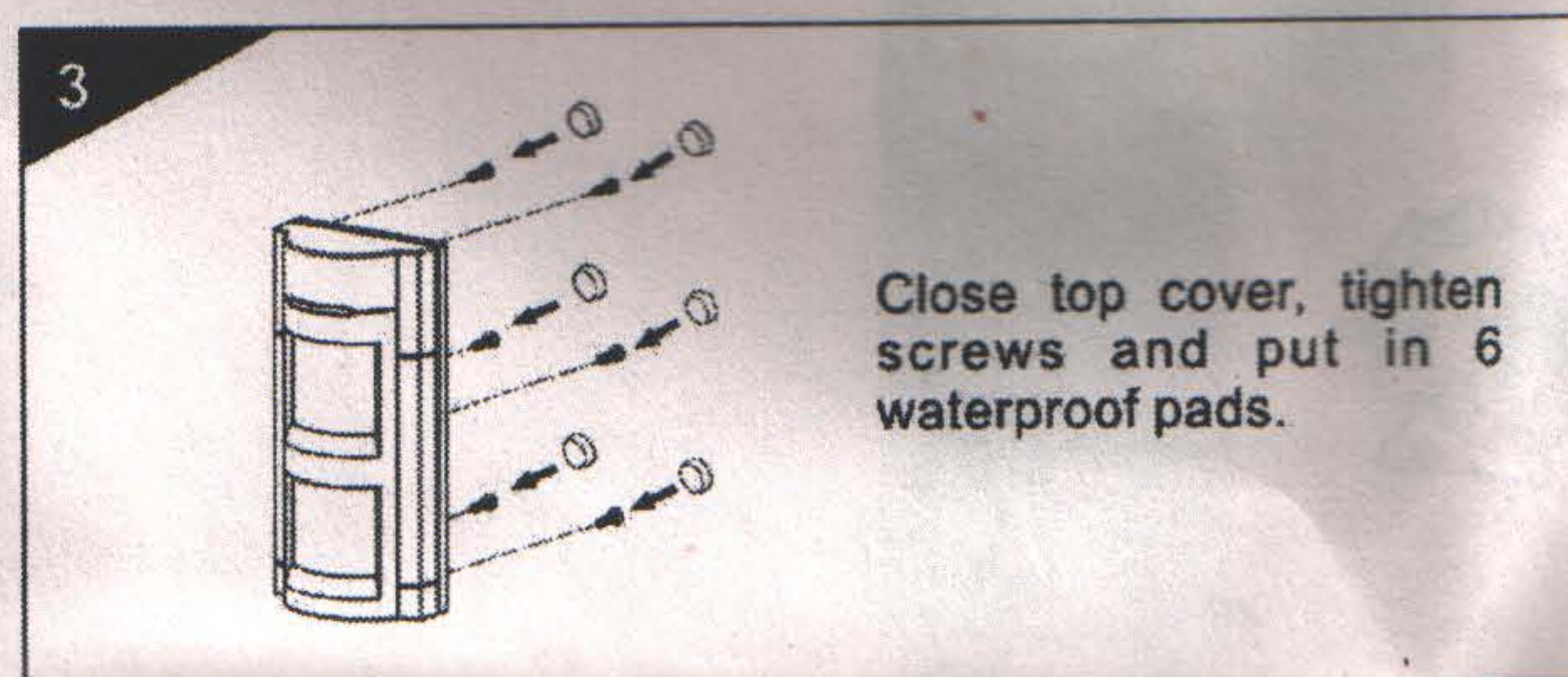
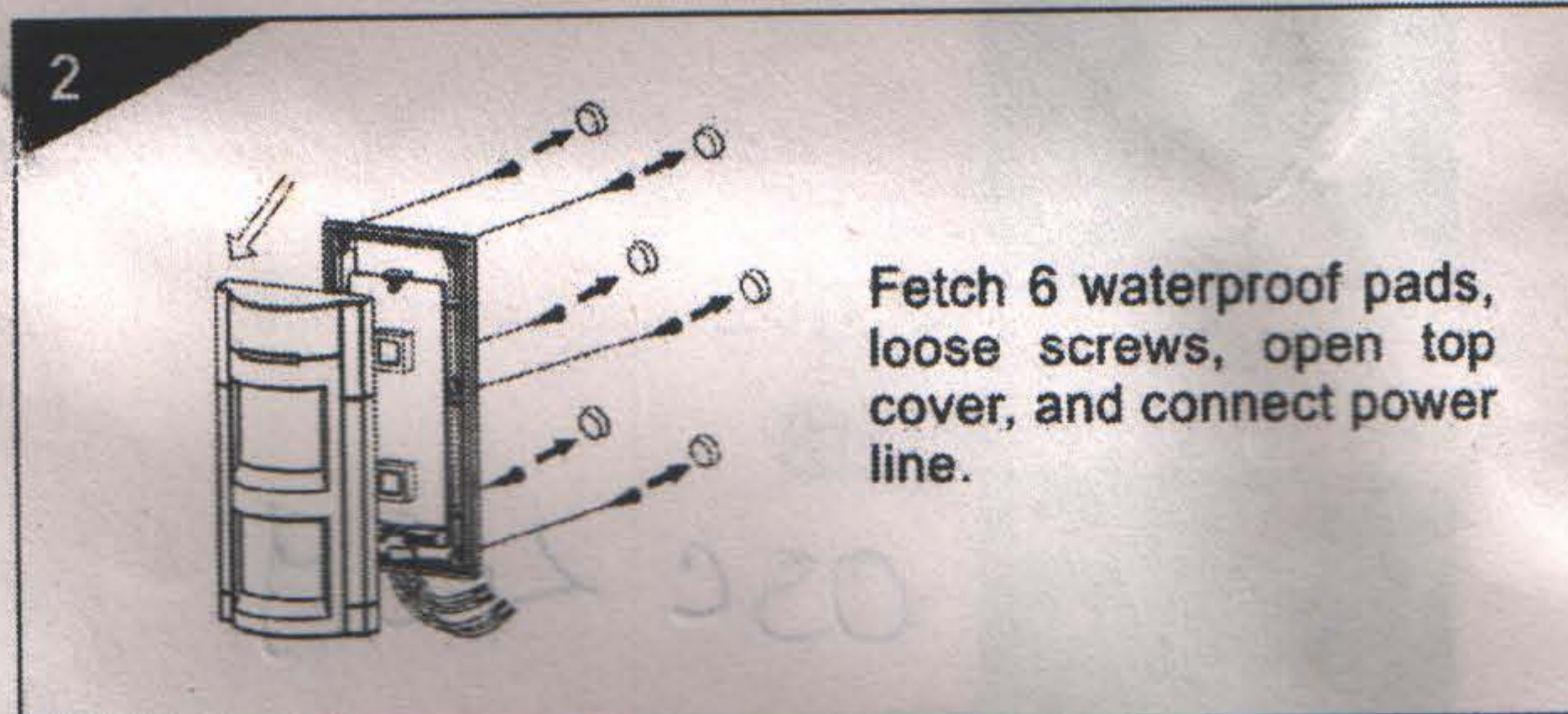
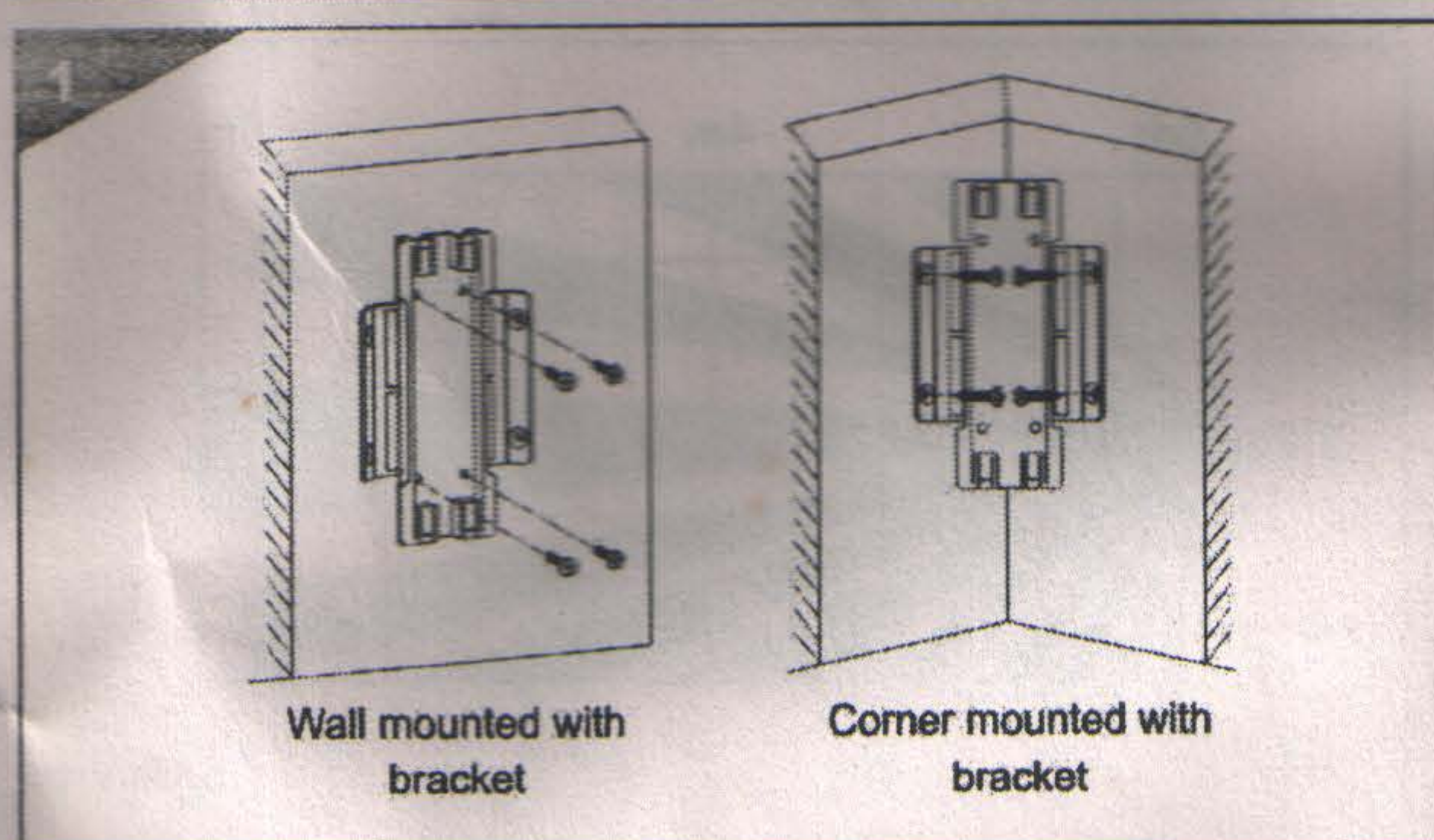
INSTALLATION

1. Take down the bracket from the detector.
2. If mounting on the wall, fix the bracket on the wall by screws; if mounting at the corner of the wall, knock out 4 mounting holes on the bracket and fix the bracket on the wall by screws.
3. Take out 6 screws and 6 waterproof pads from the bottom of the detector.
4. Open the top cover of the detector, connect wires according to the wiring figure, close the cover, tighten screws and put 6 waterproof pads into the detector.
5. Insert waterproof pads into wire outlet and fix them.
6. Insert the detector into the bracket, put surplus wires in the bracket notch.

TERMINAL BLOCK FIGURE



INSTALLATION FIGURES



NOTICES

1. Please mount and use according to this manual, do not touch the surface of sensor, if detector need to be cleaned, use soft cloth with alcohol to clean after turning off power.
2. Yearly testing is required to ensure proper operations of this detector.
3. Though this product can reduce accident, but it do not ensure perfectly safe. You should enhance security consciousness in daily life besides using this product for your security.