

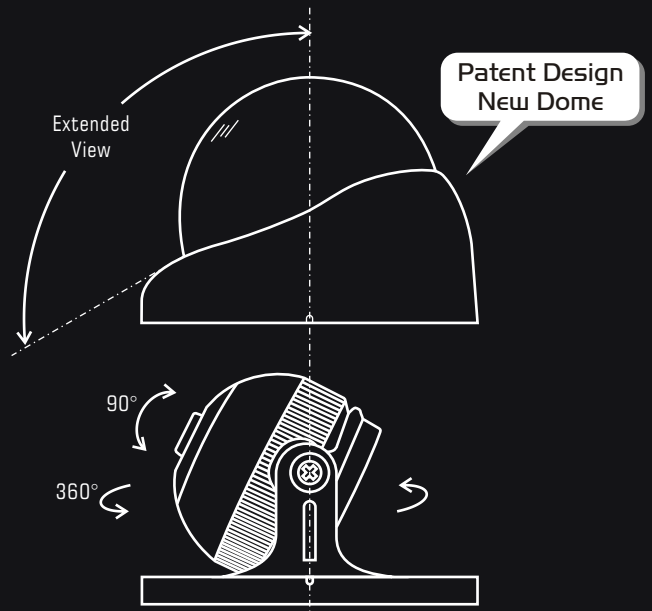


VIO

420TVL ~ 700TVL VIO SERIES DOME CAMERA

SONY 1/3" Super HAD CCD II™
SONY 1/3" Ex-View Super HAD CCD II™
420TVL ~ 700TVL Resolution
3.6 mm Fixed Lens
0.01Lux@F1.2, 0 Lux with IR on
OSD Setup
WDR, SMART IR, DNR...

www.dvigilant.com



420TVL ~ 700TVL VIO SERIES DOME CAMERA

■ HIGH RESOLUTION (600 & 700 TVL)



CONVENTIONAL CAMERA



HIGH RES. CAMERA

■ DNR (Dynamic Noise Rejection)



DNR OFF



DNR ON

■ SMART IR



SMART IR OFF



SMART IR ON

■ WDR (Wide Dynamic Range)



WDR OFF



WDR ON

■ BLC (Back Light Compensation)



BLC OFF



BLC ON

■ AGC (Auto Gain Control)



AGC OFF (Day time low light)



AGC ON (Day time low light)

■ TECHNICAL SPECIFICATIONS

Model	V10-SSSN V10-SSSP V10-HSSN V10-HSSP	V10-SSSN-i24 V10-SSSP-i24 V10-HSSN-i24 V10-HSSP-i24	V10-HNBN V10-HNBP V10-UNBN V10-UNBP	V10-HNBN-i24 V10-HNBP-i24 V10-UNBN-i24 V10-UNBP-i24	V10-VEEN V10-VEEP	V10-VEEN-i24 V10-VEEP-i24
System	N = NTSC, P = PAL					
Image Sensor	SONY 1/3" Super HAD CCD II *				SONY 1/3" Ex-View Super HAD CCD II **	
Lens Type	3.6 mm fixed Lens					
Scanning System	2:1 Interlace					
Scanning Frequency (H)	15734 Hz (NTSC), 15625 Hz (PAL)					
Scanning Frequency (V)	59.94 Hz (NTSC), 50.00 Hz (PAL)					
Sync. System	Internal					
Signal System	525 Lines (NTSC), 625 Lines (PAL)					
Total Pixels	270K (NTSC), 320K (PAL) = 420TVL 410K (NTSC), 440K (PAL) = 480TVL / 600TVL			480K (NTSC), 570K (PAL) = 700TVL		
S/N Ratio	More Than 48 dB (AGC OFF)			More Than 52 dB (AGC OFF)		
Gamma	— 0.45 Default, Selectable with OSD					
Resolution	V10-S = 420TVL, V10-H = 480TVL, V10-U = 600TVL, V10-V = 700TVL					
Video Output Level	1.0 Vp-p (75 Ohms, Composite)					
Focus Mode	Manual					
Min. Illumination	0.01Lux@F1.2, 0Lux with IR on					
White Balance	AUTO		ATW1 / ATW2 / MANUAL / AWC-SET Adjustable with OSD			
AGC	AUTO AGC Level Adjustable with OSD					
BLC	AUTO 64 Windows Adjustable with OSD					
Exposure (AE/ME)	— AUTO/MANUAL Adjustable with OSD (1/50 (1/60) to 1/120,000)					
Day/Night Switching Delay	— 1~63 Sec. Adjustable with OSD					
Mirror	— On/Off Adjustable with OSD					
Flicker Free Mode (Shutter Fixed)	— Shutter Fixed Mode to 1/120 (PAL) & 1/100 (NTSC) Adjustable with OSD					
Pro. Functions Access	— Five-way Switch OSD Control					
Motion Detection	— 4 Areas Selectable and Remote Control					
Privacy Mask Function	— ON/OFF (8 Programmable Areas)					
Lens shade compensations	— ON/OFF Adjustable					
D-WDR (WDR)	—		Digital WDR ON / OFF		WDR ON / OFF	
Video O/P selection	— CRT LCD and USER selectable					
Sharpness	— Sharpness Level Adjustable with OSD					
IR LED	i24 = IR Camera, 24 LED (5mm)					
Current Consumption	90mA/12V DC, 24LED = 110mA / 12V DC (285mA / 12V DC with IR on)					
Power Supply	DC 12V ± 1V					
I/O Connector	Video Output: Molded (Pig Tail) BNC Connector and 12V DC Input: DC Socket					
Operating Temp	-10 °C ~ +50 °C (14 °F ~ 122 °F)					
Dimensions	98.0 mm (Base Diameter) X 76.0 mm (H)					
Weight	Approx. 155g	Approx. 190g	Approx. 160g	Approx. 200g	Approx. 160g	Approx. 200g

* "Super HAD CCD II & Ex-View Super HAD CCD II" are trademark of Sony Corporation.

■ DIMENSIONS

