

D-vigilant
digital your life

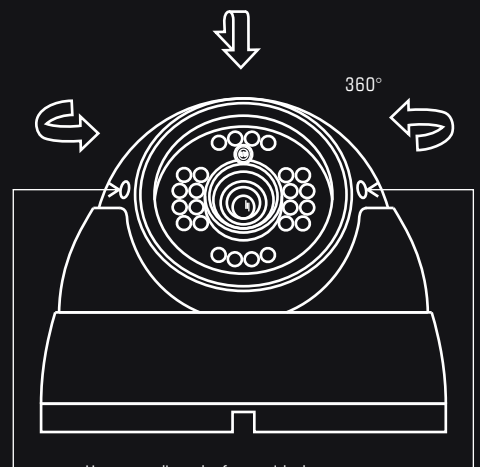


V80, V90

420TVL ~ 700TVL
V80 & V90 SERIES IR DOME CAMERA

SONY 1/3" Super HAD CCD II™
SONY 1/3" Ex-View Super HAD CCD II™
420TVL ~ 700TVL Resolution
3.6 mm Fixed Lens (V80)
4~9 mm Vari-Focal Lens (2.9~12 mm Lens Optional) (V90)
0 Lux with IR on
OSD Setup
WDR, SMART IR, DNR...

www.dvigilant.com



User can adjust the focus with the two screws
on the housing to get a clear image.
(V90 series only)

420TVL ~ 700TVL V80 & V90 SERIES IR DOME CAMERA

■ HIGH RESOLUTION (600 & 700 TVL)



CONVENTIONAL CAMERA



HIGH RES. CAMERA

■ DNR (Dynamic Noise Rejection)



DNR OFF



DNR ON

■ SMART IR



SMART IR OFF



SMART IR ON

■ WDR (Wide Dynamic Range)



WDR OFF



WDR ON

■ BLC (Back Light Compensation)



BLC OFF



BLC ON

■ AGC (Auto Gain Control)



AGC OFF (Day time low light)



AGC ON (Day time low light)

■ TECHNICAL SPECIFICATIONS

| Model | V80-SSSN-i24 V80-SSSP-i24 V80-HSSN-i24 V80-HSSP-i24 | V90-SSSN-i36 V90-SSSP-i36 V90-HSSN-i36 V90-HSSP-i36 | V80-HNBN-i24 V80-HNBP-i24 V80-UNBN-i24 V80-UNBP-i24 | V90-HNBN-i36 V90-HNBP-i36 V90-UNBN-i36 V90-UNBP-i36 | V80-VEEN-i24 V80-VEEP-i24 | V90-VEEN-i36 V90-VEEP-i36 |
|--|--|--|--|--|------------------------------------|------------------------------|
| System | N = NTSC, P = PAL | | | | | |
| Image Sensor | SONY 1/3" Super HAD CCD II | | | | SONY 1/3" Ex-View Super HAD CCD II | |
| Lens Type | V80 = 3.6 mm fixed Lens, V90 = 4~9mm Vari-Focal Lens (2.9~12 mm Lens Optional) | | | | | |
| Scanning System | 2:1 Interlace | | | | | |
| Scanning Frequency (H) | 15734 Hz (NTSC), 15625 Hz (PAL) | | | | | |
| Scanning Frequency (V) | 59.94 Hz (NTSC), 50.00 Hz (PAL) | | | | | |
| Sync. System | Internal | | | | | |
| Signal System | 525 Lines (NTSC), 625 Lines (PAL) | | | | | |
| Total Pixels | 270K (NTSC), 320K (PAL) = 420TVL 410K (NTSC), 440K (PAL) = 480TVL / 600TVL | | | 480K (NTSC), 570K (PAL) = 700TVL | | |
| S/N Ratio | More Than 48 dB (AGC OFF) | | | More Than 52 dB (AGC OFF) | | |
| Gamma | — 0.45 Default, Selectable with OSD | | | | | |
| Resolution | V80-S / V90-S = 420TVL, V80-H / V90-H = 480TVL, V80-U / V90-U = 600TVL, V80-V / V90-V = 700TVL | | | | | |
| Video Output Level | 1.0 Vp-p (75 Ohms, Composite) | | | | | |
| Focus Mode | Manual | | | | | |
| Min. Illumination | OLux with IR on | | | | | |
| White Balance | AUTO | | | ATW1 / ATW2 / MANUAL / AWC-SET Adjustable with OSD | | |
| AGC | AUTO | | | AGC Level Adjustable with OSD | | |
| BLC | AUTO | | | 64 Windows Adjustable with OSD | | |
| Exposure (AE/ME) | — | | | AUTO/MANUAL Adjustable with OSD [1/50 (1/60) to 1/120,000] | | |
| Day/Night Switching Delay | — | | | 1~63 Sec. Adjustable with OSD | | |
| Mirror | — | | | On/Off Adjustable with OSD | | |
| Flicker Free Mode (Shutter Fixed) | — | | | Shutter Fixed Mode to 1/120 (PAL) & 1/100 (NTSC) Adjustable with OSD | | |
| Pro. Functions Access | — | | | Five-way Switch OSD Control | | |
| Motion Detection | — | | | 4 Areas Selectable and Remote Control | | |
| Privacy Mask Function | — | | | ON/OFF (8 Programmable Areas) | | |
| Lens shade compensations | — | | | ON/OFF Adjustable | | |
| D-WDR (WDR) | — | | | Digital WDR ON / OFF | | WDR ON / OFF |
| Video O/P selection | — | | | CRT LCD and USER selectable | | |
| Sharpness | — | | | Sharpness Level Adjustable with OSD | | |
| IR LED | i24 = IR Camera, 24 LED (5mm), i36 = IR Camera, 36 LED (5mm) | | | | | |
| Current Consumption | V80 = 110mA / 12V DC (295mA / 12V DC with IR on) V90 = 110mA / 12V DC (360mA / 12V DC with IR on) | | | | | |
| Power Supply | DC 12V ± 1V | | | | | |
| I/O Connector | Video Output: Molded (Pig Tail) BNC Connector and 12V DC Input: DC Socket | | | | | |
| Operating Temp | -10 °C ~ +50 °C (14 °F ~ 122 °F) | | | | | |
| Dimensions | V80 = 93mm(Base Diameter) X 78mm(H), V90 = 119mm(Base Diameter) X 96mm(H) | | | | | |
| Weight | Approx. 325g | Approx. 635g | Approx. 330g | Approx. 640g | Approx. 330g | Approx. 640g |

* "Super HAD CCD II & Ex-View Super HAD CCD II" are trademark of Sony Corporation.

■ DIMENSIONS

