

D-vigilant
digital your life

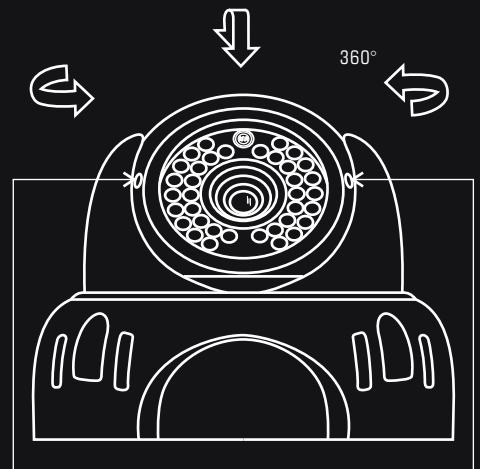


V81, V91

420TVL ~ 700TVL
V81 & V91 SERIES IR DOME CAMERA

SONY 1/3" Super HAD CCD II™
SONY 1/3" Ex-View Super HAD CCD II™
420TVL ~ 700TVL Resolution
3.6 mm Fixed Lens (V81)
4~9 mm Vari-Focal Lens (2.9~12 mm Lens Optional) (V91)
0 Lux with IR on
OSD Setup
WDR, SMART IR, DNR...

www.dvigilant.com



Users can adjust the focus with the two screws on the housing to get a clear image. (V91 series only)

