

FSK Transmitter Module

TX01-FSK

General Description:

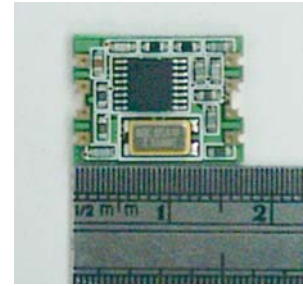
The FTX01-FSK is an FSK transmitter module, which is designed with a mini size, high output power, and simple-to-use for designing.

Frequency Range: 434 / 868 MHz.

Supply Voltage: 2.2~3.5V.

High efficiency Power amplifier : 10dBm @ 3V

Low supply current: 15mA @ 3V

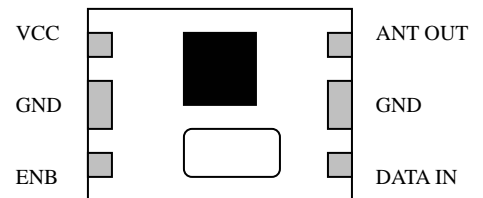


434/868 MHz FSK TRANSMITTER

Applications

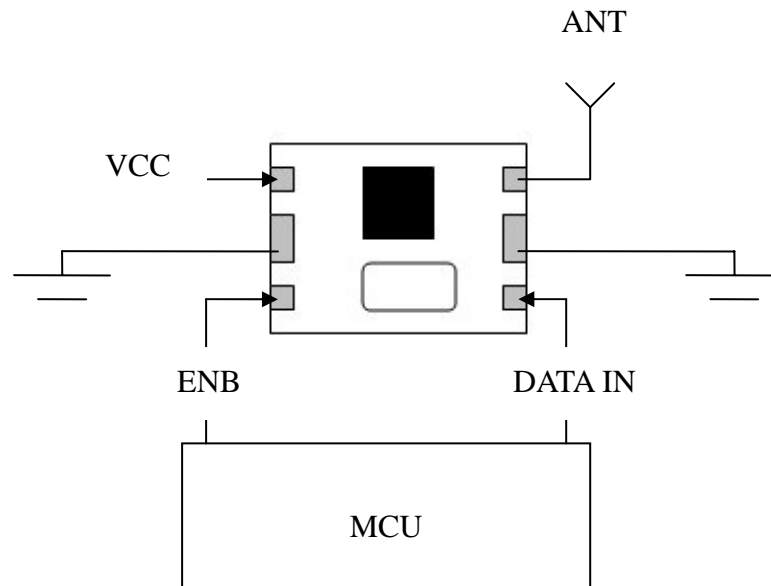
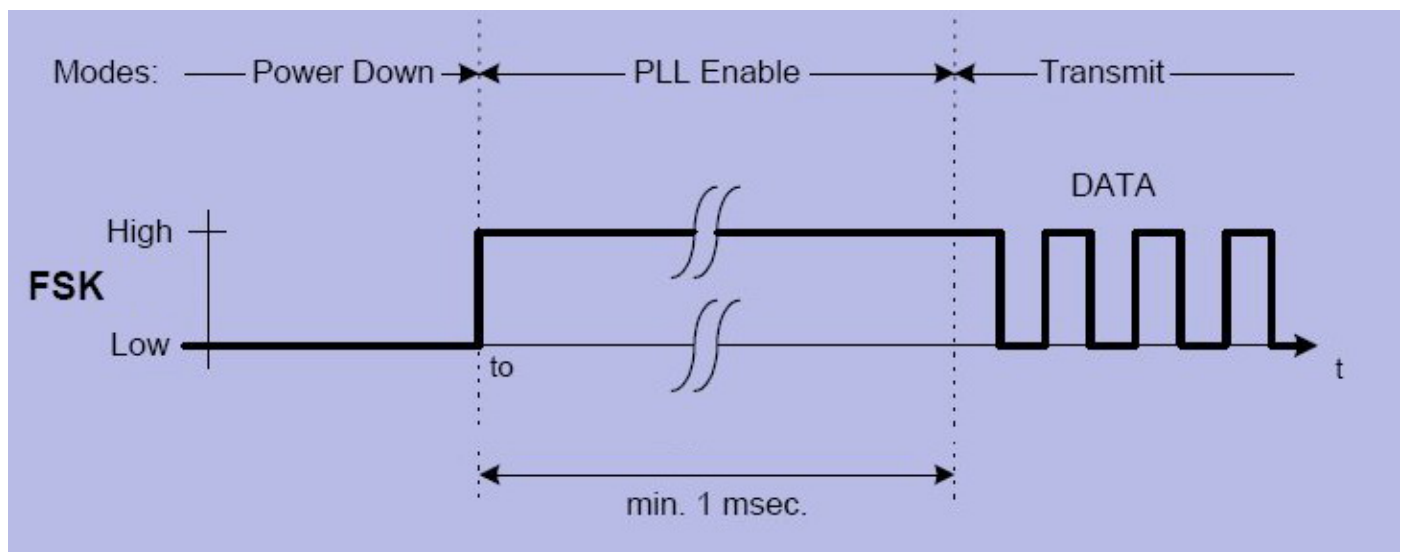
- *Wireless security systems
- *Car Alarm systems
- *Remote controls.
- *Sensor reporting
- *Automation systems

PIN Description:



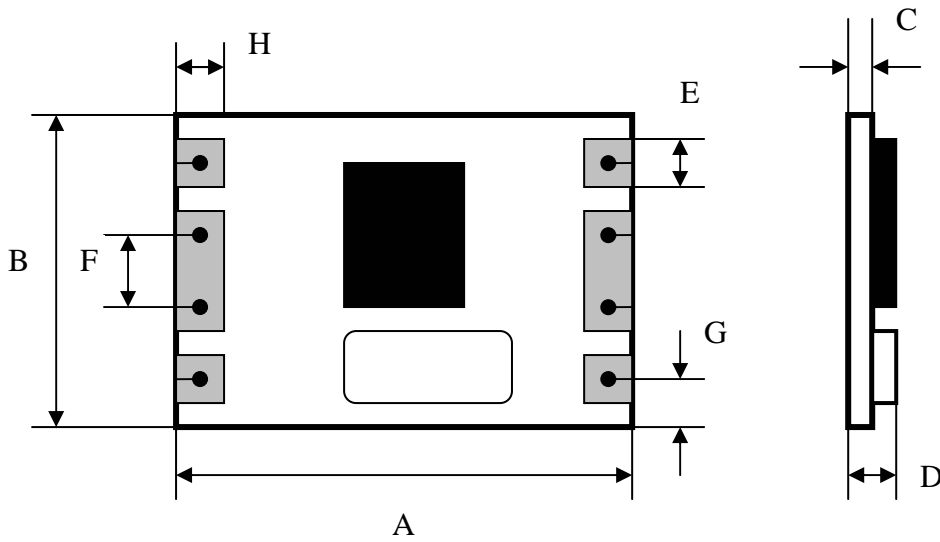
Absolute Maximum Ratings

Parameter	Specification			Unit
	Min.	Typ.	Max.	
Frequency	434/868			MHz
Operation Voltage	2.2	3	3.5	Volt
Supply Current	15			mA(3V)
Standby Current	0.5			uA
Output power	10			dBm(50Ω)
Tune on Time	1.0			ms
Data Rate	4.8K			bps
Temperature	-20		85	°C

Typical Application:**Recommended timing diagram:**

The High / Low mode is controlled by the Enable pin.

Dimension:



Dimensions	Millimeters	Dimensions	Millimeters
A	16.802mm	F	2.540mm
B	12.501mm	G	2.400mm
C	2.500mm	H	2.600mm
D	2.000mm		
E	1.351mm		