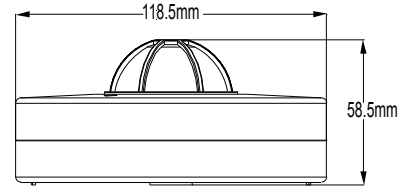
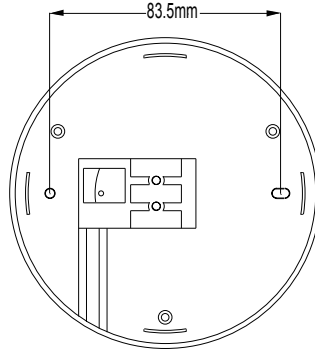


# MI82B Infrared Motion Sensor Instruction



## Summary

The product is a new saving-energy switch, it adopts good sensitivity detector, integrated circuit and SMT. It gathers automatism, convenient safe, saving-energy and practical functions. Three detectors inside compose a wide range detection field, it utilizes the infrared energy from human as control-signal source, it can start the load at once when one enters detection field. It can identify day and night automatically. It is easy to install and used widely, possessing the functions of power show and detecting show.

## Specifications

Power source: 220-240V/AC   
100-130V/AC

Power frequency: 50/60Hz

Time setting: min: 8sec±3sec  
max: 7min±2min

Detection range(22°C): 16m Max.(dia.)

Light-control: <3LUX~daylight

Detection angle: 360°

Working temperature: -10°C~+40°C

Rated load: 1200W Max.tungsten(220-240V/AC )

300W Max.fluorescent(220-240V/AC)

800W Max.tungsten(100-130V/AC)

150W Max.fluorescent(100-130V/AC)

Installation height: >3m

Working humidity: <93%RH

Detection motion speed: 0.6-1.5m/s

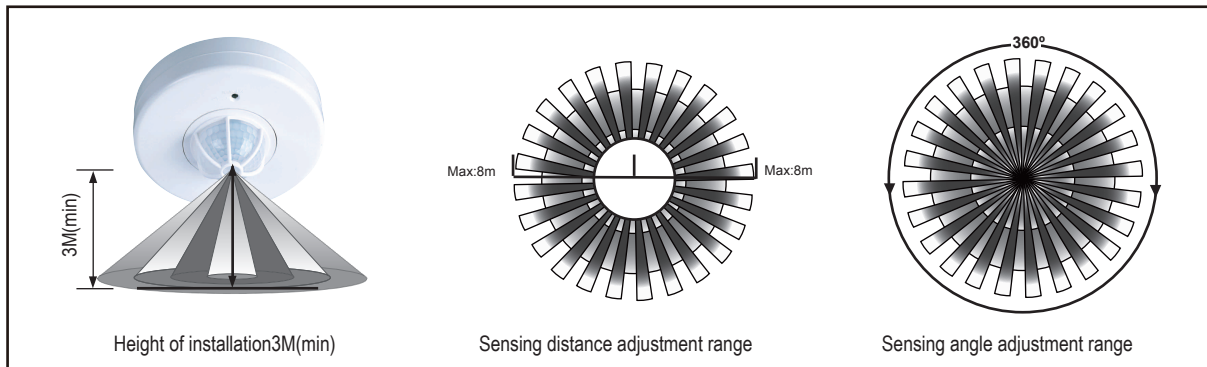
Power consumption: 0.45W (static 0.1W)

Switch function: Auto/Off/Manual Override

## Function

- Identify day and night automatically. Can adjust light-control according to your desire: when turn to SUN (max), it will work in the daytime and at night. When turn to MOON (min), it will only work under less than 3LUX circumstance. As for adjustment, please refer to testing way.
- Detection range can be set according to installation position and detection field.
- The power show and detection show: the indicator lamp will flash one time each 4 seconds after switching on the power, and flash two times per second when receiving the signal. At the same time, it shows the sensor in the normal detection conditions.
- Time setting is added continually: when it receives the second induction signal after the first inductor, it will compute time once more on the rest of the first time delay basic. (Set time)
- Time setting adjustment: it can be set according to your desire. The minimum is 8±3sec; the maximum is 7±2min.
- Locking function: during working, when power is shut off 2 seconds and then on, the sensor will be locked automatically and keep load working continually(for example it will always lighting). And shut off the power for 4 seconds and then on, sensor will resume automation.

## Sensor information



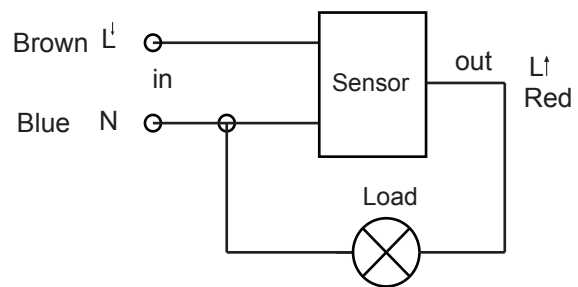
## Connection-wire diagram

L<sup>↓</sup> Brown

N Blue

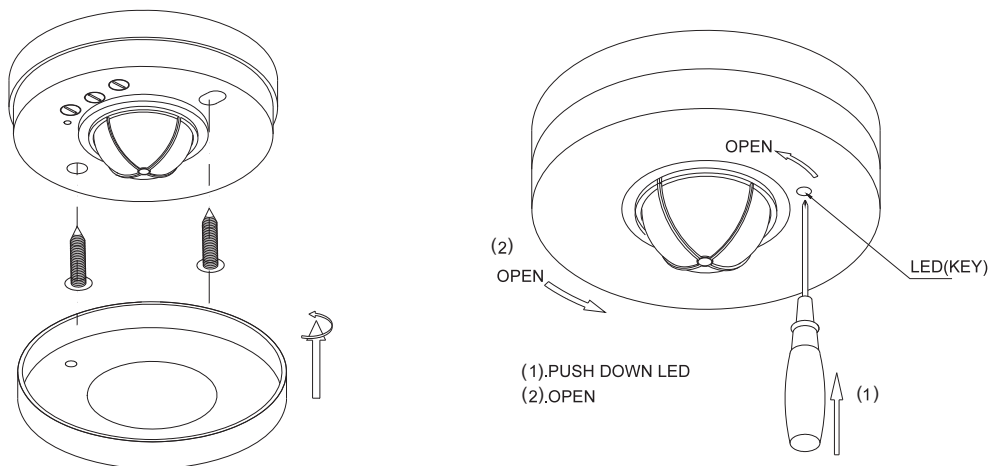
L<sup>↑</sup> Red

connect L<sup>↓</sup> and N with power;  
connect N and L<sup>↑</sup> with load.



## Installation(see following diagram)

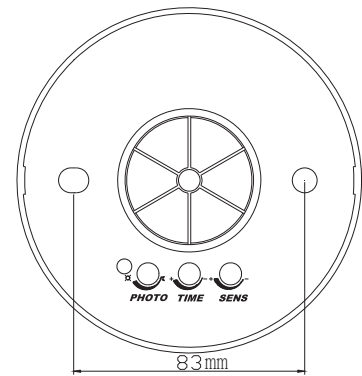
- 1、 Switch off the power;
- 2、 Push down LED according to the sketch map in packing, take down the top cover by anti-clockwise turn;
- 3、 The sensor is fixed on the selected position with the inflated screw;
- 4、 Connect the power and the load into the connection-wire column according to the sketch map;
- 5、 Put the top cover on the sensor, turn it clockwise and you will hear “bong ”, so you can test it.



## Test

- Turn PHOTO Knob clockwise to the maximum (SUN). Turn time knob anti-clockwise to the minimum.
- At the time of your switching on the power, the load doesn't work and the show lamp flashes once every second. After 5-10 sec, the load works and the indicator lamp flashes twice every second. Under the no induction conditions, the load should stop working within 5-30sec and the show lamp should get back to flash twice every 4 sec.

- If make it sense again 5-10 seconds later after it goes out load should work and the flashing speed is two times per second, then load will stop working within 5-15seconds.
- Turns PHOTO knob anti-clockwise to the minimum. If it is tested under the circumstance below 3LUX, load should not work after induction load stop working; but if you cover the detection window with opaque objects (towel etc), the load works. Under the condition of no induction signals, the load should stop working within 5-15 sec.



## Note

- Should be installed by electrician or experienced man.
- Avoid installing it on the unrest objects.
- There shouldn't be hindrance and moving object in front of the detection window effecting detection.
- Avoid installing it near air temperature alteration zones such as air condition, central heating, etc.
- Considering your safety, please don't open the cover when you find the hitch after installation.
- If there is difference between product and instruction, please refer to product mainly.

## Some problem and solved way

- 1、 The load do not work:
  - a: Please check the power and load connect is correct.
  - b: Check if show lamp flash with one time every 5 seconds.
  - c: Check if the load is good.
  - d: Check if the show lamp accelerates its speed after detecting.
  - e: Check if the working light corresponds to the light-control.
- 2、 The sensitivity is poor:
  - a: Please check if there is hinder in front of the detection window to effect receiving the signals.
  - b: Please check if the ambient temperature is too high.
  - c: Please check if the signals source is in the detection fields.
  - d: Please check if the installation height corresponds to the height showed in the instruction.
  - e: Please check if the moving orientation is correct.
- 3、 The sensor can't shut the load automatically:
  - a: Check if there are continual signals in the detection fields.
  - b: Check if the time setting is set to the longest.
  - c: Check if the power corresponds to the instruction.
  - d: Check if the temperature change obviously nears the sensor, such as air condition or central heating etc.
  - e: Check if it is in locked conditions.